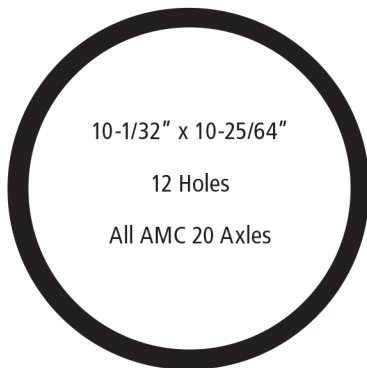


## REAR AXLE IDENTIFICATION GUIDE

This guide can be used to help identify your rear axle make/model. This information should help you locate the Auburn Gear differential model appropriate for your vehicle.

### AMC

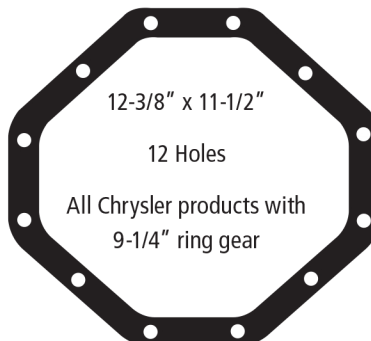


AMC-20

### CHRYSLER



CHRYSLER-825-8375

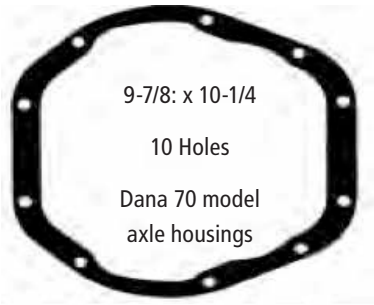


CHRYSLER-925



CHRYSLER

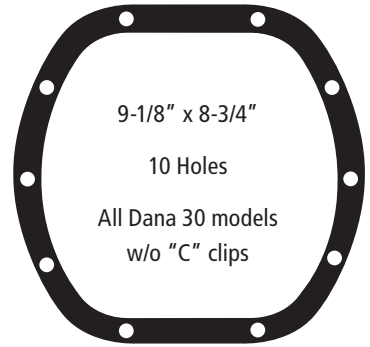
**DANA**



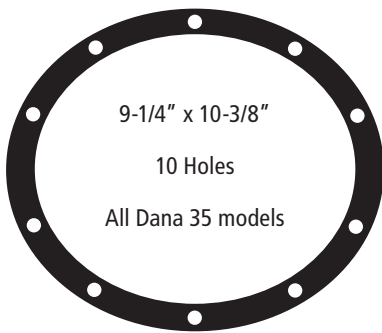
DANA-70



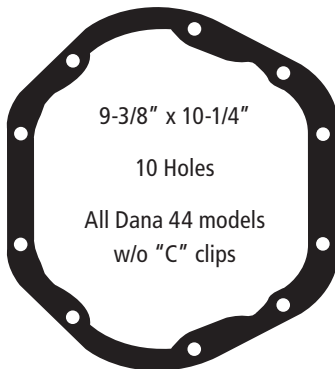
DANA-80



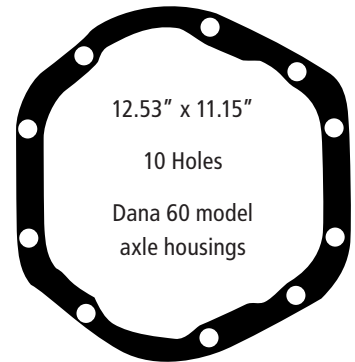
DANA-30



DANA-35

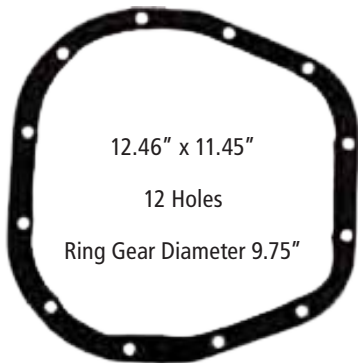


DANA-44

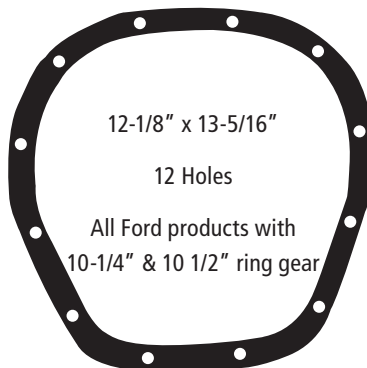


DANA-60

**FORD**



FORD



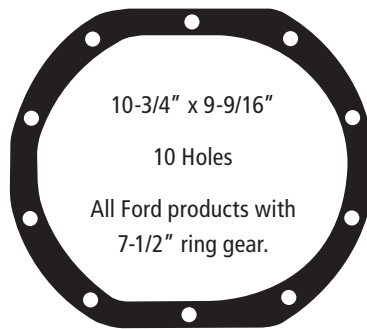
FORD



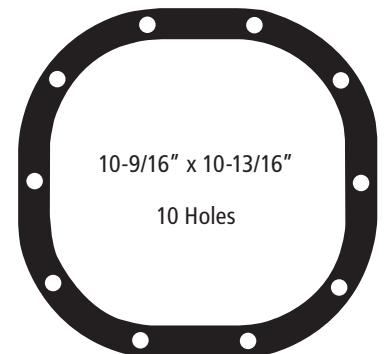
FORD



FORD

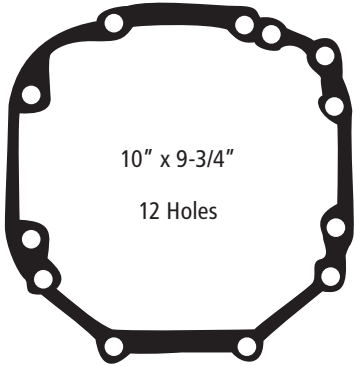


FORD



FORD-88

GENERAL MOTORS



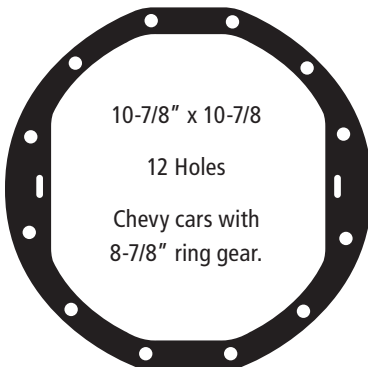
GEN 5-CAMARO-V8



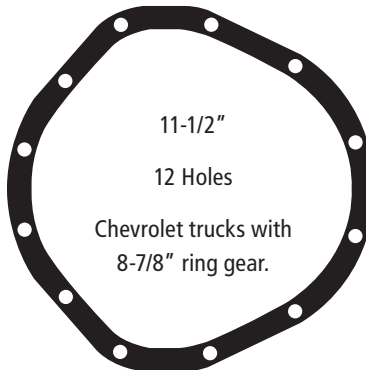
GM



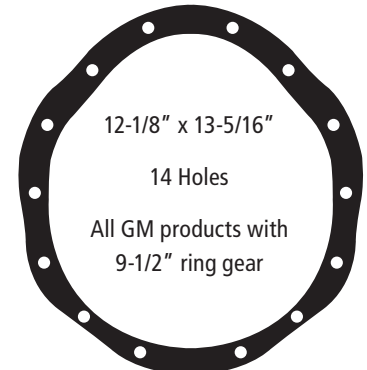
GM



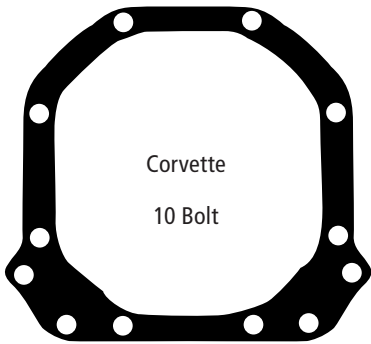
GM-CAR



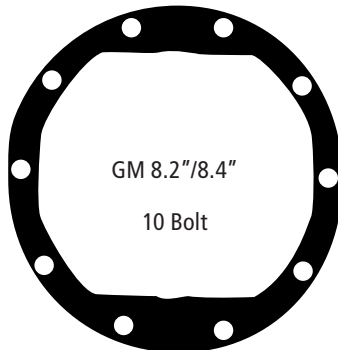
GM-TRUCK



GM



CORVETTE



CHEVY

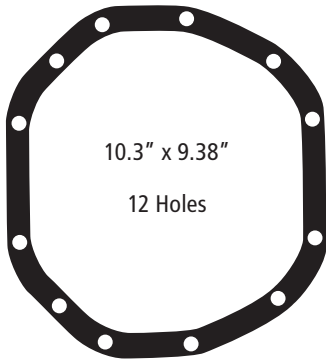


FRONT

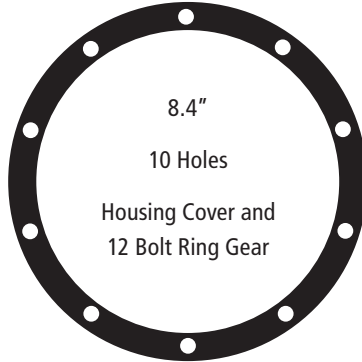


REAR

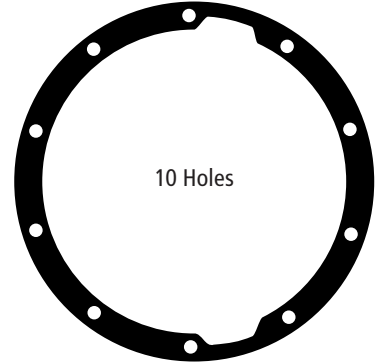
**TOYOTA**



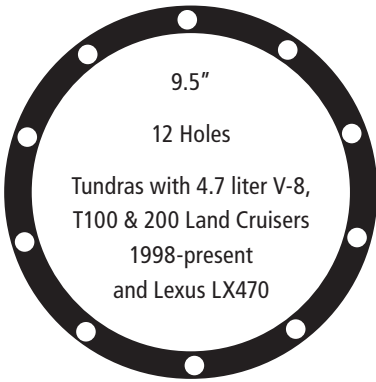
TITAN



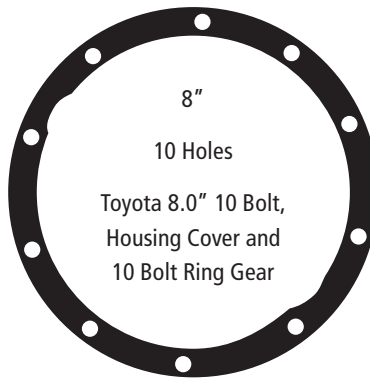
TOYOTA



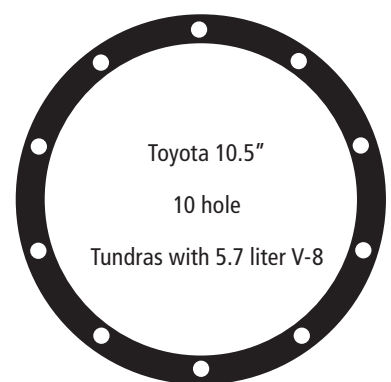
1968-1989 LANDCRUISER



TOYOTA



TOYOTA



TOYOTA